

Husky 515 Plastic Pumps

Air-Operated Double-Diaphragm

Features

- 1/2 in (12.7 mm) center-porting and 3/4 in (19.05 mm) end-porting
- No seals to leak or fail
- Quiet running — less than 85 dBa with easy-to-use remote muffler capability for even lower noise levels
- High flow rates in a small, portable package
- External controller for optional remote operation

Typical Applications

- Machine lubrication servicing
- Drum evacuation
- Plating and dip tanks
- Water treatment

Typical Fluids Handled

- Cleaning fluids and detergents
- Chemicals
- Ceramic glazes
- Inks
- Solvents and flammables
- Acids and bases



Husky 515 Groundable Acetal
D51XXX or D41XXX



Husky 515 Polypropylene
D52XXX or D42XXX



Husky 515 PVDF
D55XXX or D45XXX

Husky 515

Plastic Pumps

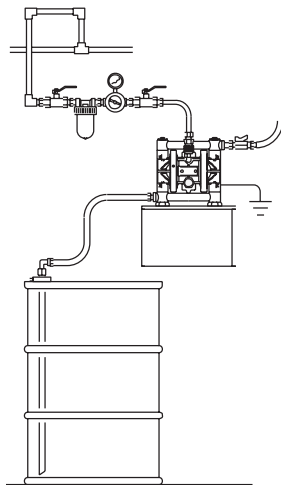
Technical Specifications

Maximum fluid working pressure	100 psi (7 bar, 0.7 MPa)
Maximum free flow delivery*	15 gpm (57 lpm)
Maximum pump speed	400 cpm
Displacement per cycle**	0.04 gallon (0.15 liter)
Maximum suction lift (D52331)	12 ft (3.7 m) dry
Maximum size pumpable solids	0.09 in (2.5 mm)
Maximum operating temperature***	
PTFE	220°F (104.4°C)
Santoprene	180°F (82.2°C)
Buna-N	180°F (82.2°C)
TPE	150°F (65.5°C)
Fluoroelastomer	250°F (121.1°C)
Typical sound level at 70 psi (4.9 bar, 0.49 MPa) air @ 200 cpm	74 dBa
Maximum air consumption	28 scfm (0.672 m ³ /min)
Air pressure operating range	25 to 100 psi (1.8 to 7 bar, 0.18 to 0.7 MPa)
Air inlet size	1/4 npt(f)
Air exhaust port size	3/8 npt(f)
Fluid inlet & outlet size	1/2 and 3/4 npt(f) or bspt(f)
Weight	
Acetal	7.8 lb (3.5 kg)
Polypropylene	6.5 lb (2.9 kg)
PVDF	8.5 lb (3.9 kg)
Wetted parts (in addition to ball, seat and diaphragm materials—which may vary by pump)	
Acetal pump	Groundable Acetal, PTFE
Polypropylene pump	Polypropylene, PTFE
PVDF pump	PVDF, PTFE
Instruction manual	308981

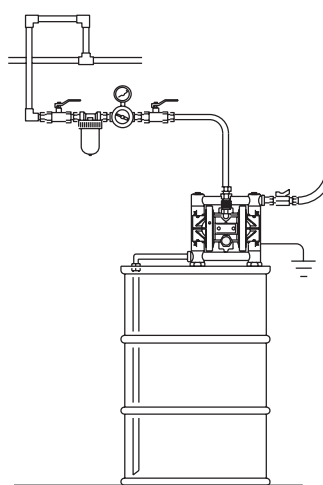
* Flow rates are with muffler and do not vary based on diaphragm material
 ** Displacement per cycle may vary based on suction condition, discharge head, air pressure and fluid type
 *** Actual pump performance may be affected by prolonged usage at temperature

System Drawings

Husky 515 Wall-Mount with Drum Feed



Husky 515 Drum-Mount with Siphon Feed



Husky 515

Plastic Pumps

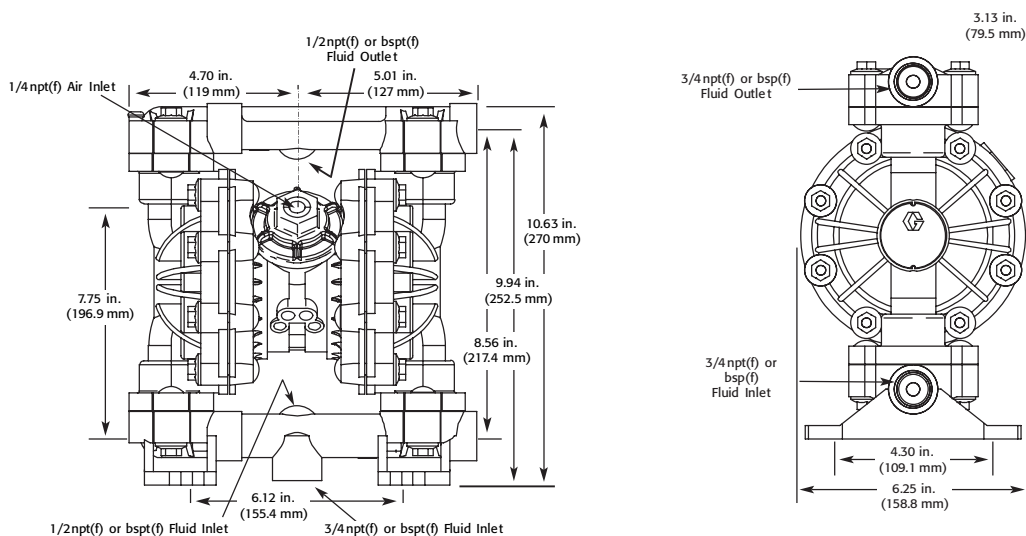
Ordering Information

The highlighted areas indicate possible configurations for the Husky 515 plastic pump.

PUMP SIZE (AIR MOTOR TYPE AND MATERIAL)	WETTED PARTS	SEATS	BALLS	DIAPHRAGM
1 = 1/4" (6.35 mm) Standard: polypropylene center section	1 = Acetal (npt)	2 = Acetal	1 = PTFE	1 = PTFE
2 = 1/4" (6.35 mm) Remote: polypropylene center section	2 = Poly (npt)	3 = Stainless Steel	2 = Acetal	5 = TPE
3 = 3/8" (9.52 mm) Standard: aluminum center section	3 = Aluminum (npt)	4 = Hardened SST	3 = Stainless Steel	6 = Santoprene
5 = 1/2" (12.7 mm) Standard: polypropylene center section	4 = Stainless Steel (npt)	5 = TPE	4 = Hardened SST	7 = Buna N
4 = 1/2" (12.7 mm) Remote: polypropylene center section	5 = PVDF (npt)	6 = Santoprene	5 = TPE	8 = Fluoroelastomer
5 = 3/4" (19.05 mm) Standard: polypropylene center section	6 = Ductile Iron (npt)	7 = Buna N	6 = Santoprene	7 = Buna N
4 = 3/4" (19.05 mm) Remote: polypropylene center section		8 = Fluoroelastomer	8 = Fluoroelastomer	G = Geolast
7 = 1" (25.4 mm) Standard: aluminum center section	A = Acetal * (bsp)	9 = Polypropylene	9 = Polypropylene	
8 = 1" (25.4 mm) Remote: aluminum center section	B = Poly * (bsp)	A = PVDF	A = PVDF	
R = 1" (25.4 mm) Standard: stainless steel center section	C = Aluminum (bsp)	G = Geolast	G = Geolast	
S = 1" (25.4 mm) Remote: stainless steel center section	D = Stainless Steel (bsp)			
U = 1-1/2" (38.1 mm) Standard: stainless steel center section	E = PVDF (bsp)	B = SST with viton seal		
C = 1-1/2" (38.1 mm) Remote: aluminum center section	F = Ductile Iron (bsp)	C = Santoprene with viton seal		
T = 1-1/2" (38.1 mm) Standard: stainless steel center section				
U = 1-1/2" (38.1 mm) Remote: stainless steel center section	H = 2 npt Alum Extended			
F = 2" (50.8 mm) Standard: aluminum center section	G = 2 bsp Alum Extended	D = Urethane Duckbill		
G = 2" (50.8 mm) Remote: aluminum center section				
V = 2" (50.8 mm) Standard: stainless steel center section				
W = 2" (50.8 mm) Remote: stainless steel center section				
K = 3" (76.2 mm) Standard: aluminum center section				

* = BSP plastic in 1/2" (12.7mm) pumps
 1" > Plastic pumps flange connections
 3" Aluminum pumps flange connections

Dimensions



Husky 515

Plastic Pumps

Popular Models

Material	Part Number (NPT Ported)		Part Number (BSP Ported)		Materials for Seats	Materials for Balls	Materials for Diaphragms	Fluid Kit	Air Kit	Air Control*
	Standard Air Valve	Remote Air Valve	Standard Air Valve	Remote Air Valve						
Acetal	D51211	D41211	D5A211	D4A211	Acetal	PTFE	PTFE	D05211	241657	246946
	D51255	D41255	D5A255	D4A255	Acetal	TPE	TPE	D05255	241657	246946
	D51277	D41277	D5A277	D4A277	Acetal	Buna	Buna	D05277	241657	246946
	D51311	D41311	D5A311	D4A311	Stainless Steel	PTFE	PTFE	D05311	241657	246946
	D51331	D41331	D5A331	D4A331	Stainless Steel	Stainless Steel	PTFE	D05331	241657	246946
	D51D05	D41D05	D5AD05	D4AD05	Duckbill		TPE	D05D05	241657	246946
	D51D06	D41D06	D5AD06	D4AD06	Duckbill		Santoprene	D05D06	241657	246946
D51D07	D41D07	D5AD07	D4AD07	Duckbill		Buna	D05D07	241657	246946	
Polypropylene	D52211	D42211	D5B211	D4B211	Acetal	PTFE	PTFE	D05211	241657	246946
	D52277	D42277	D5B277	D4B277	Acetal	Buna	Buna	D05277	241657	246946
	D52311	D42311	D5B311	D4B311	Stainless Steel	PTFE	PTFE	D05311	241657	246946
	D52331	D42331	D5B331	D4B331	Stainless Steel	Stainless Steel	PTFE	D05331	241657	246946
	D52336	D42336	D5B336	D4B336	Stainless Steel	Stainless Steel	Santoprene	D05336	241657	246946
	D52911	D42911	D5B911	D4B911	Polypropylene	PTFE	PTFE	D05911	241657	246946
	D52955	D42955	D5B955	D4B955	Polypropylene	TPE	TPE	D05955	241657	246946
	D52966	D42966	D5B966	D4B966	Polypropylene	Santoprene	Santoprene	D05966	241657	246946
	D52977	D42977	D5B977	D4B977	Polypropylene	Buna	Buna	D05977	241657	246946
	D52988	D42988	D5B988	D4B988	Polypropylene	Fluoroelastomer	Fluoroelastomer	D05988	241657	246946
	D52D05	D42D05	D5BD05	D4BD05	Duckbill		TPE	D05D05	241657	246946
D52D06	D42D06	D5BD06	D4BD06	Duckbill		Santoprene	D05D06	241657	246946	
D52D07	D42D07	D5BD07	D4BD07	Duckbill		Buna	D05D07	241657	246946	
PVDF	D55A11	D45A11	D5EA11	D4EA11	PVDF	PTFE	PTFE	D05A11	241657	246946
	D55A88	D45A88	D5EA88	D4EA88	PVDF	Fluoroelastomer	Fluoroelastomer	D05A88	241657	246946

* Air control includes air regulator and filter with gauge

Performance Charts

See www.graco.com/process for performance charts.

Accessories

See page 75 for additional accessories.